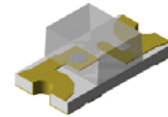


# 1206 Reverse Package SMD LED

## VS 82D8

### Description

The major breakthrough in VS 82D8 is blue color emitted, package in dimension L x W x H, 3.2 \* 1.6 \* 1.1mm. The dice used in this series is InGaN material. The advantages of InGaN are low power consumption and obtaining high luminous intensity under low current driving condition. The wavelengths and luminous Intensities of this series are grouped under 20mA for uniformity.




### Applications

- Industrial control systems signal indicator
- Automotive features
- Front panel indicator
- Status indication



### Electronic Optical Characteristics (at 20mA):

Part Number	Emitted Color	$\lambda$ (nm)		Lens Color	Iv(mcd)		View Angle	VF(V)	
		$\lambda d$	$\lambda p$		Min.	Typ.		Typ.	Max.
VS 82D8	Blue 	470	468	Clear	48	110	130	3.5	3.8

### Absolute Maximum Ratings (at Ta=25°C)

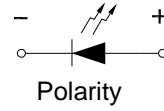
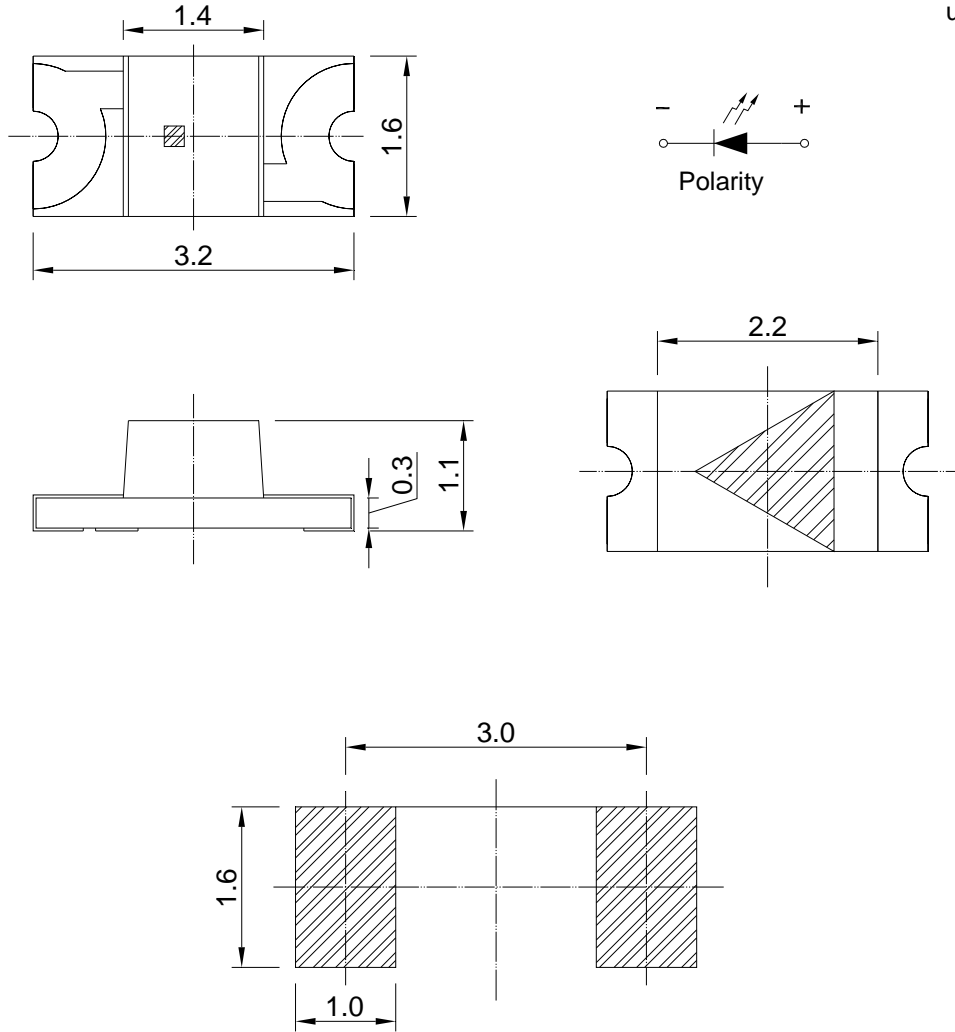
P <sub>D</sub> (mW)	I <sub>FP</sub> (mA)	I <sub>F</sub> (mA)	Iron Sol.(°C)	I <sub>R</sub> (uA)@V <sub>R</sub> =5V	Topr(°C)	Tstg(°C)
90	100*	30	350±5 for 3 sec	50	-40~+85	-40+90

Note: Please take note the Absolute Maximum Rating values. Any operation beyond the specified ratings in this table will result degradation of LED life- span and may cause LED to fail.

\* I<sub>FP</sub>: Peak Forward Current under 1/10 duty, 1KHz condition

**Package Dimension:**

unit:mm

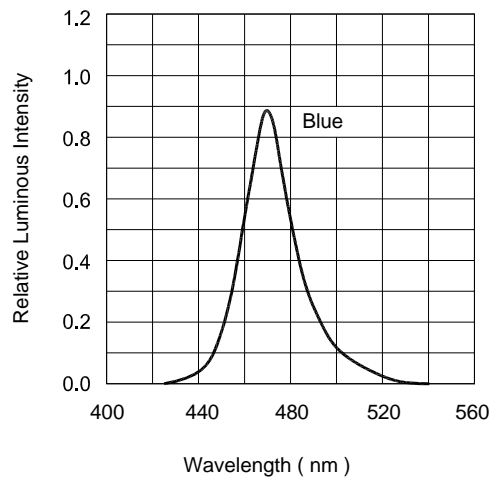
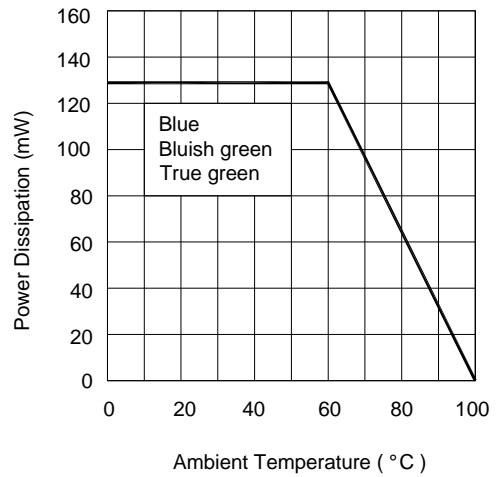
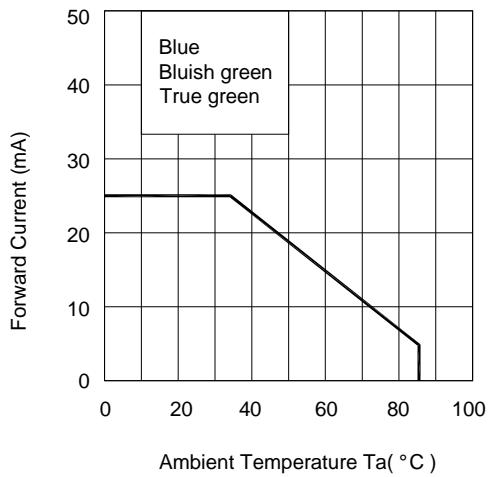
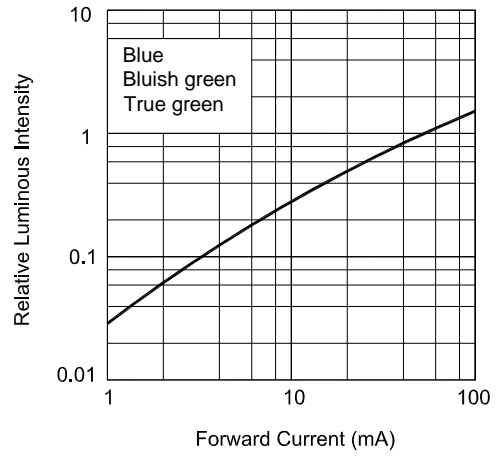
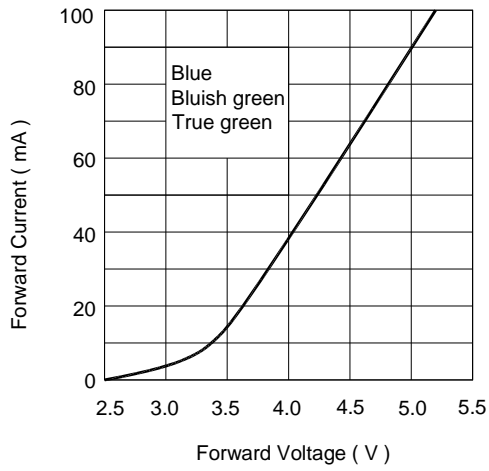


Recommended Soldering Pad

**Notes:**

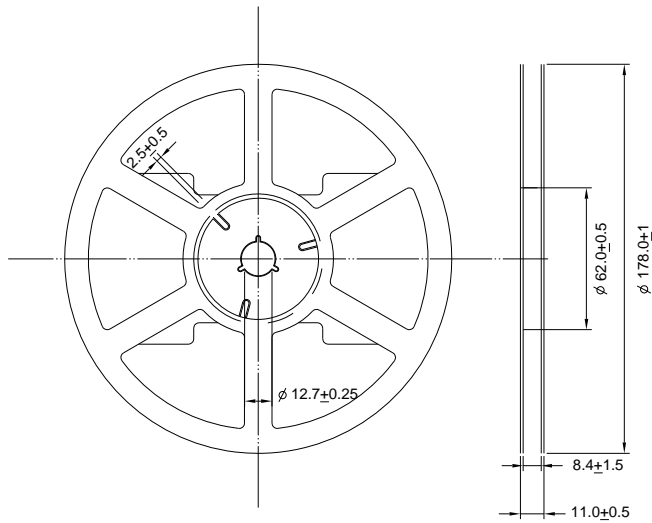
1. All dimensions are millimeters.
2. Tolerance is  $\pm 0.2\text{mm}$  unless otherwise specified.
3. Specifications are subject to change without notice.

## Optical Characteristics Curves



### Reel Dimension:

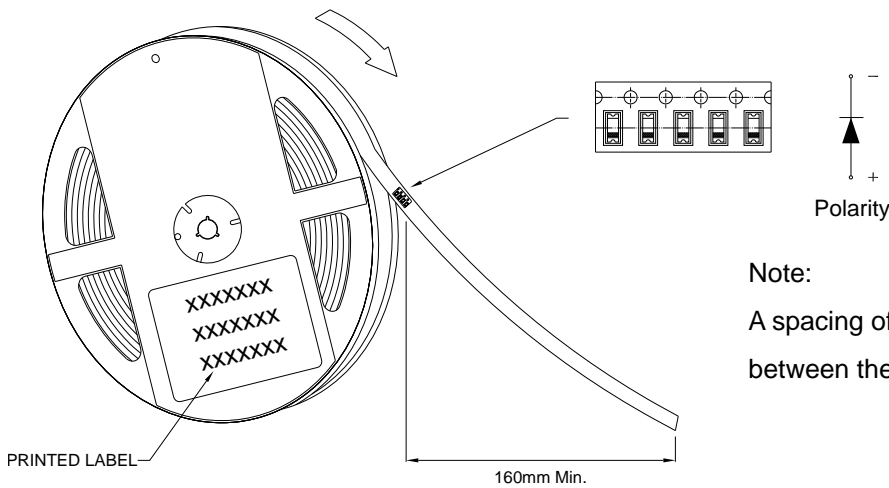
unit : mm



Note:

Available in 8mm carrier tape on 178mm diameter reels. (3,000 pieces)

USER FEED DIRECTION

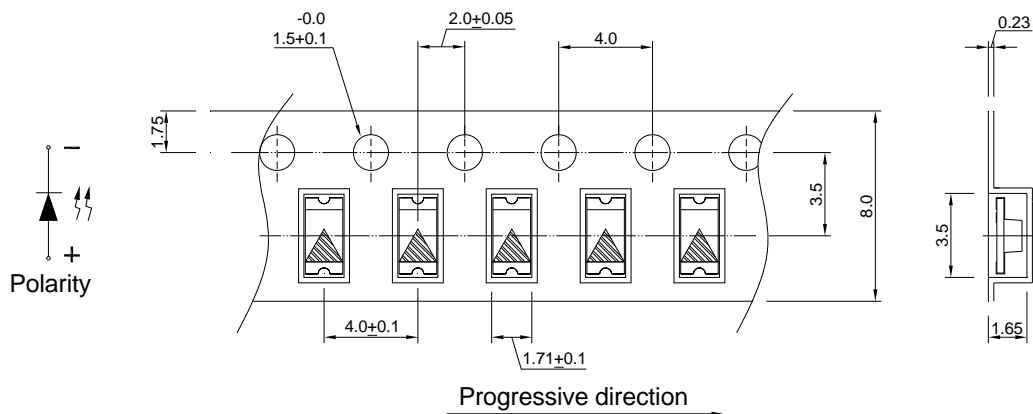


Note:

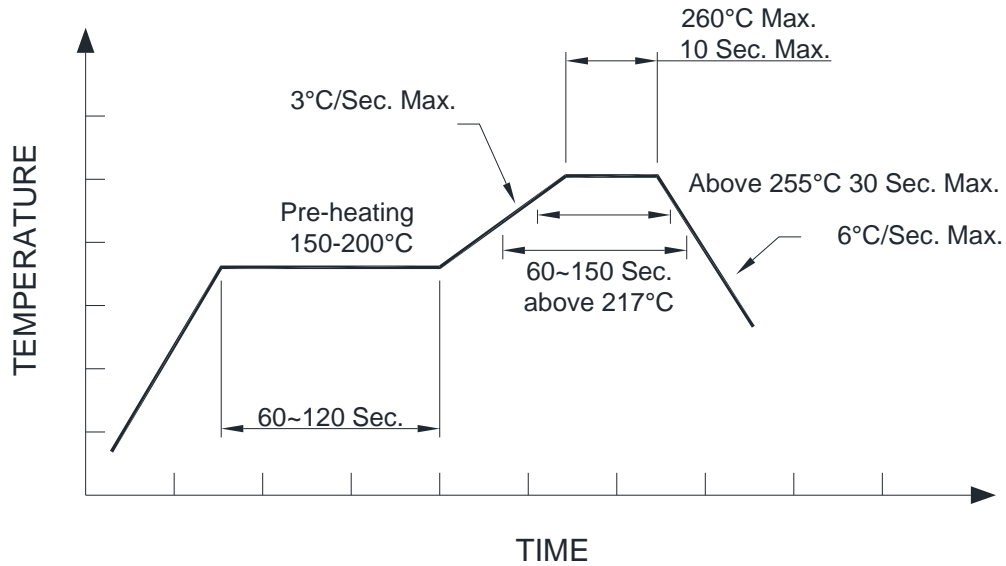
A spacing of approximately 160mm between the front edge of tape

### Tape Dimension:

unit:mm



**Recommended Pb-free re-flow soldering profile:**



**Note:**

All the specifications listed in this data sheet are suitable for general electronic equipment, office equipment and communication devices. Kindly consult Sales Representatives for specific reliabilities request, Forward Voltage, Luminous Intensity, Wavelength, Radiant Power or Viewing Angle.